



Sailing Instructions 2009

Racing Class

Wayzata Yacht Club - Apostle Islands Station

Race Committee

Regatta Chair	Chris Nimmer
Principal Race Officer (PRO)	Bert Foster
Ratings Officer	Perry King
Scoring	Emily Nimmer
Protest Committee	tbd
Committee Boat	Jubilation- Brian Fehr

1. RULES

- 1.1 This regatta will be governed by the "rules" as defined in the Racing Rules of Sailing 2009-2012 (RRS/US).
- 1.2 **Advertising** - One design classes racing under Category A will compete under Category A for this regatta. One design classes racing under Category C and boats sailing under the PHRF handicap rule will compete under Category C.

2. ENTRIES / ELIGIBILITY

- 2.1 The regatta is open to self-righting sailing boats 20 feet in length or greater. Each boat shall be able to be handicapped using the Lake Michigan PHRF rating system or alternately, shall be assigned a provisional handicap by the Bayfield Race Week Race Committee when a boat does not have a LM-PHRF rating certificate. Provisional Handicaps shall not be subject to protest. One design class boats shall be in compliance with one design class rules if racing in a one design class. This changes Rule 62.1(a).
- 2.2 All boats must carry adequate Liability Insurance in full force and effect during Race Week, which shall include a General Liability policy written by a responsible insurance company insuring the owner and any operators against liability for bodily injury in limits of not less than \$300,000 and for property damage of not less than \$100,000.
- 2.3 "For the U20 one design fleet, this regatta is designated "Open", but deletes Article ODII, Paragraphs 1. and 2.2 (Owner not required on Board)"

3. NOTICES TO COMPETITORS

- 3.1 Notices to competitors will be posted on the Official Regatta Notice Board at Race Headquarters. Jury Notice Boards will be next to the Official Regatta Notice Board.
- 3.2 Any questions concerning these Sailing Instructions, scoring, or any other racing issues shall be submitted in writing to Race Headquarters. Written inquiries and responses will be posted on the Official Regatta Notice Board.
- 3.3 All competitors are asked to monitor channel 72 on their VHF by 1000 hours each day for race course, starting line location, postponements and other announcements from the Principal Race Officer (PRO). **Competitors are asked not to contact the Committee Boat by radio unless specifically requested by the Committee Boat.**

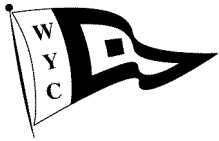
4. CHANGES IN SAILING INSTRUCTIONS

Any change in the Sailing Instructions will be posted before 0830 hrs the day it will take effect. Any change to the race schedule will be posted by 1900 hrs the evening before it will take effect.

5. SIGNALS

- 5.1 **Signals made ashore** - will be displayed from the lake side of the Bayfield on the Lake Condos.
- 5.2 **Postponement** – Code flag "AP," Answering Pennant, with two horns (one horn when lowered) means "The race is postponed." No attempt will be made to indicate the time of the Warning Signal; all postponements will be for an indefinite period of time.

6. SCHEDULE AND TIME OF RACES



Sailing Instructions 2009

Racing Class

- 6.1 **Skipper's Meeting Attendance is Mandatory – Monday, June 29, 2009 from 0830 to 0930 hours**
- 6.2 At the end of each race the RC will signal by radio/verbal hail to “stand by” its intention is to run another race
- 6.3 On Friday, no Warning Signal to initiate a starting sequence will be made after 1430. The Race Committee will attempt to broadcast its intentions over the designated VHF channel. This will typically be channel 72, but may be changed as necessary by the Race Committee.
- 6.4 The scheduled time for the initial Warning Signal for the first race each day is 1110.

7. CLASSES AND FLEET FLAGS

- 7.1 Fleets will be determined no later than the Monday Skippers' Meeting, where class flags/streamers will be distributed.

8. RACING AREA

8.1 The race area is the Apostle Islands in the general vicinity of Bayfield; the PRO will determine specific race locations. Depending on wind conditions the committee boat may move a race as necessary. It is the obligation of each boat to arrive at the race location determined by the PRO by the Initial Warning Signal. Each boat must have on board current nautical charts of the Apostle Islands area.

9. RATINGS (LAKE MICHIGAN PHRF SYSTEM)

- 9.1 Handicap classes will use The Lake Michigan Performance Handicap Racing Fleet (LMPHRF) rules system. All boats in these classes will receive a handicap (rating) as determined by the Rating Committee of the LMPHRF. Go to www.lmphrf.org to obtain a handicap certificate. Ratings will be posted at the Monday Skippers' Meeting.
- 9.2 **One design Racing under PHRF** - All instrumentation, class membership requirements, and other one design rules not specifically oriented towards sail and spar size, shape, or material or towards hull configuration are waived for racing for boats scored using the PHRF system.
- 9.3 **Provisional Ratings** - For boats without a valid LMPHRF certificate, provisional ratings will be assigned. Boats without a valid LMPHRF certificate shall not be entitled to protest, appeal or request redress for a rating. This changes Rules 60.1, 62 and 78.

10. ONE DESIGN CLASSES

Boats racing in a designated one design class must meet the one design class rules for that class except as modified by these Sailing Instructions.

11. EQUIPMENT

- 11.1 While racing, all transom-mounted motors shall either be stowed aboard or left mounted with the shaft vertical.
- 11.2 While racing, all boats shall carry the minimum safety equipment as required by the U.S. Coast Guard and we strongly recommend ORC Category IV compliance.
- 11.3 ***For the start and finish of each race, each crewmember on board is required to wear an U.S. Coast Guard approved life preserver.***

12. RACING COURSES

- 12.1 **Buoy Courses** – Courses are detailed in diagrams in Attachment B. The diagrams depict the approximate angle between legs, and include the side and order that the marks are to be passed. The identifying letter of the basic course and buoys selected for each fleet will be displayed from the Committee Boat before or with the warning signal. Courses may be modified by additional laps around the course or fractions thereof. The course posting will indicate numerically the laps and legs to be sailed (e.g., W1 1/2, T1 1/3).
- 12.2 **Random/medium distance courses**-- The starting area will typically be near the Bayfield Town Dock; however, in some instances it may be necessary to follow the Committee Boat to an alternate starting area. The course to be sailed will be displayed from the Committee Boat. Boats shall obey all navigational buoys unless they are used as marks of the course. Boats shall not pass between any pond net and the



Sailing Instructions 2009

Racing Class

nearest shore while racing. (Pond nets are fish-catching apparatus surrounded by vertical poles protruding 5 to 10 feet out of the water.)

13. THE START

13.1 Races will be started using rule 26 with classes starting at 5-minute intervals; the starting signal of the preceding class shall be the warning for each succeeding class. Divisions will start in alphabetical order unless the order is changed at the skippers' meeting and posted immediately after the meeting. It is the intention of the Race Committee to start the Cruising Division at 1100 from the same area as the racing classes.

13.2 The starting line will be between a staff displaying a starting line flag (orange) on the Committee Boat (generally on the starboard end) and a starting mark.

13.3 The Starting Area will extend 300 feet perpendicularly (to windward and leeward) from the starting line and radially from its ends. Boats whose preparatory signal has not been made shall stay clear of the starting area and of all boats whose preparatory signal has been made. Boats which fail to abide by these restrictions may be subject to protest by the Race Committee.

14. RECALLS

14.1 Individual Recalls will be in accordance with Racing Rule 29.1. The Committee Boat will attempt to notify premature starters by hail and or VHF radio channel 72, but is under no obligation to do so.

14.2 General Recall will be in accordance with Racing Rule 29.2.

15. THE FINISH

15.1 Buoy Races - The Finish Line will be between a staff displaying a Blue Flag (or Shape) on the Committee Boat and a nearby mark.

15.2 Random/medium distance Courses - The Finish Line will generally be just south of the Bayfield Town Dock just off the park between a staff on shore displaying a blue flag and a buoy just off shore. However, the Finish Line may also be at some other prescribed location or, in the event of a shortened course, may be positioned anywhere down the course near the Rhumb Line (or only far enough to get anchorable water depths for the Committee Boat), located between a staff displaying a Blue Flag (or Shape) on the Committee Boat and a mark.

15.3 Finish Order - All boats are requested to write down the boat that finishes immediately ahead of them and immediately behind them in each race. This information must be submitted along with any request for scoring corrections.

16. TIME LIMIT

The time limit will be three hours for all classes for all buoy races; therefore one class may finish while others do not. In the event of light air the PRO may choose to shorten the time limit to two and one-half hours by raising Code Flag "S" prior to the start. Random/medium distance Courses shall have a five-hour time limit unless modified by the PRO. Any boat finishing more than 60 minutes after the first boat of her class finishes or after the time limit, whichever is later, will be scored "Did Not Finish" (DNF).

17. RETIREMENT

A boat that retires from a race, or elects not to compete in subsequent races on a day with additional scheduled races, is asked to notify the PRO, or a Race Committee (RC) representative before leaving the race area. If that is impossible, the competitor shall notify a RC representative immediately after arriving ashore.

18. PROTESTS

18.1 Rule 61.1(a) is changed to add that a boat intending to protest another boat shall, as soon as possible after finishing or retiring, inform the finish line Committee Boat of her intent to protest and the sail number(s) of the boat(s) being protested. Except when damage or medical emergency forces a boat to retire, a protest is invalid when this requirement is not met and the Protest Committee shall refuse to hear the protest under RRS 63.5.



Sailing Instructions 2009

Racing Class

- 18.2** Protests shall be written on U.S. Sailing protest forms available from the RC. Lacking a proper protest form, a protesting boat shall provide in writing the information required under RRS 61.2. The protest shall be filed in the protest box on the notice board or alternatively, the protestor may give the protest form to the arbitrator (see Instruction 18.1 S/B 19) within the time limit.
- 18.3** **Time Limit** - The time limit for filing protests is one hour after the Committee Boat docks at the end of the day.
- 18.4** **Protest Committee hearing schedule** - Arbitration/Protest hearings will generally be heard the same day. Hearings may be changed to a different day by the Protest Committee or at the reasonable request of a party to the protest. The RC will post the time and place of protest hearings on the Official Regatta Notice Board.
- 18.5** **Failure to appear** - if a party refuses, or fails to make reasonable arrangements to meet an arbitrator, the matter shall be referred to the protest committee. If a party fails to attend a protest hearing, the Protest Committee may decide the protest in the absence of the party.
- 19. ARBITRATION**
- 19.1** For protests involving an alleged breach of a rule of Part 2 of the RRS, a short arbitration hearing will be held on shore after the last race of the day on which the incident occurred. When more than 2 boats are involved in the same incident, the matter may be referred directly to the protest committee without arbitration. This modifies Part 5 Section B of the RRS.
- 19.2** After a written protest form is properly lodged, one representative from each boat will meet with the arbitrator unless the protestor has good reason to request the protest be withdrawn and the arbitrator allows the protest to be withdrawn. Witnesses will not be allowed in the arbitration proceeding.
- 19.3** If both parties accept the arbitrator's ruling, the process is ended. If one of the parties does not accept the arbitrator's ruling, the protest will proceed to the full protest committee as detailed in the RRS and these Sailing Instructions.
- 19.4** A boat that accepts the arbitrator's ruling that she broke a rule of Part 2 of the RRS shall receive a penalty of 2 points or points equal to 20% of the number of boats finishing that race, whichever is greater. The acceptance of an arbitration penalty cannot be grounds for redress or appeal.
- 20. SCORING**
- 20.1** The Low Point Scoring system, rule A2 will apply.
- 20.2** If seven or more races are completed there is one throw-out. In the event that six or fewer races are completed, there is no throw-out.
- 21. PRIZES**
- Trophies By Class** - 1st, 2nd and 3rd place.
Prizes may be given as follows-
- Best New Boat
 - Furthest Traveled Boat
 - Best Local Boat
 - Best Out of Town Boat
- 22. DISPOSAL OF TRASH**
- Boats observed discharging trash over the side shall be either disqualified from all races sailed on the day the infraction is observed, subject to other suitable disciplinary action, or both. This changes Rule 63.1.

IMPORTANT NOTICE OF LIMITATION OF LIABILITY

The Apostle Islands Station of the Wayzata Yacht Club and/or the Race Committee, its members or any other committee shall not be liable for any injury or damage whatsoever to persons or property -- whether caused by or resulting from their act, omission or alleged negligence, or from weather or sea conditions, hazards of any kind, defects or failure of boats to be seaworthy in hull, rigging or gear, or any acts, omissions or alleged negligence of other participants which may occur during or arising out of or in connection with any race, regatta, event, cruise, spectacle or any activity sponsored or aided in whole or in part by the Wayzata Yacht Club. Notice is hereby given to all participants (including crew, spectators, officials and others) that they participate in any activity solely

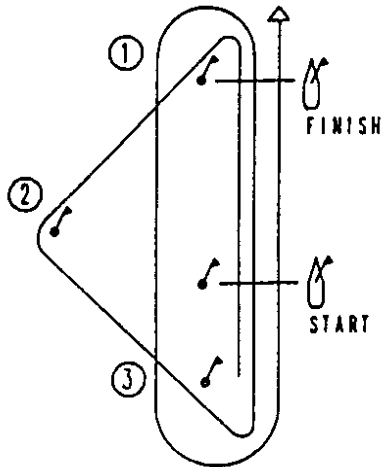


Sailing Instructions 2009

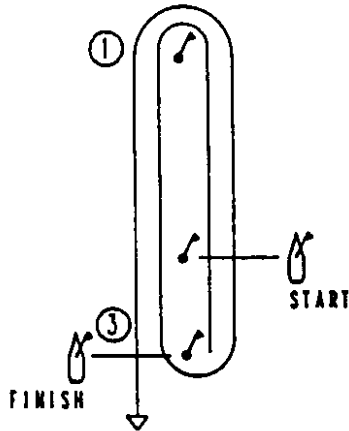
Racing Class

at their own risk. Skippers of participating boats are required to apprise all crew members of this Limitation of Liability as a Condition of Entry.

Attachment B



Olympic **O-1**

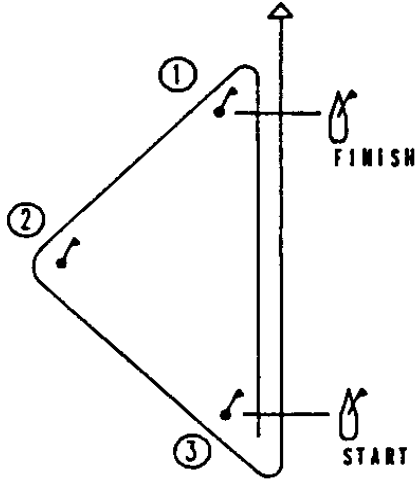


Windward Leeward **WL2**



Sailing Instructions 2009

Racing Class



Triangle T1 1/3